



Installation Instructions

**A2 Series – Rear Replacement
2019 - 2025 RAM 2500/3500 HD**



Where STRENGTH Meets *Style!*™

I. SAFETY

THE SAFETY OF YOU AND OTHERS IS VERY IMPORTANT TO US!

In order to minimize this risk and make an informed decision about safety, it is important that you carefully read and follow the installation instructions we have provided.

We urge you to use your own good judgment and allow plenty of time for install.

II. HAZARD CHECKLIST

- Always wear personal protective equipment (PPE) such as: protective eye wear, gloves, close toed shoes, etc.
- We recommend that you use a certified mechanic or shop for professional installation.
- Always set emergency brakes on vehicle and use tire blocks to ensure vehicle stabilization.
- Use caution when lifting, we recommend the use of equipment to help lift bumpers into place.
- Use caution when using power tools such as air ratchet, etc.
- Take caution when installing wiring.
- Perform regular inspections of hardware, bolts, brackets, etc.
- Rigid light brackets are specifically designed to fit Rigid lights, we do not guarantee off brand fitment.
- Our winch mount is designed for Warn and Superwinch products. We do not guarantee off brand fitment.

III. USE & RISK

Bodyguard Products LLC is not responsible for damage to our products, or other subsequent damage that might occur, as a result of misuse or improper installation. While we do manufacture products that appear stronger than factory parts, our products should not be viewed or relied upon as life-saving devices in the event of a collision or rollover. We make no claims relating to airbag compatibility, crashworthiness, or sturdiness. It is the customer's responsibility to check with the vehicle manufacturer or auto dealer regarding airbag compatibility and automobile manufacturer's warranty before installing our products.

IV. PREPARATION

- Ensure personal safety by checking for hazards and identifying risks.
- Check for correct hardware.
- Check for tools needed.
- Use either foam or tape on body side and tailgate to prevent scratches to the truck when installing your bumper.
- Please allow approximately 2-3 hours for installation.

V. PARTS LIST

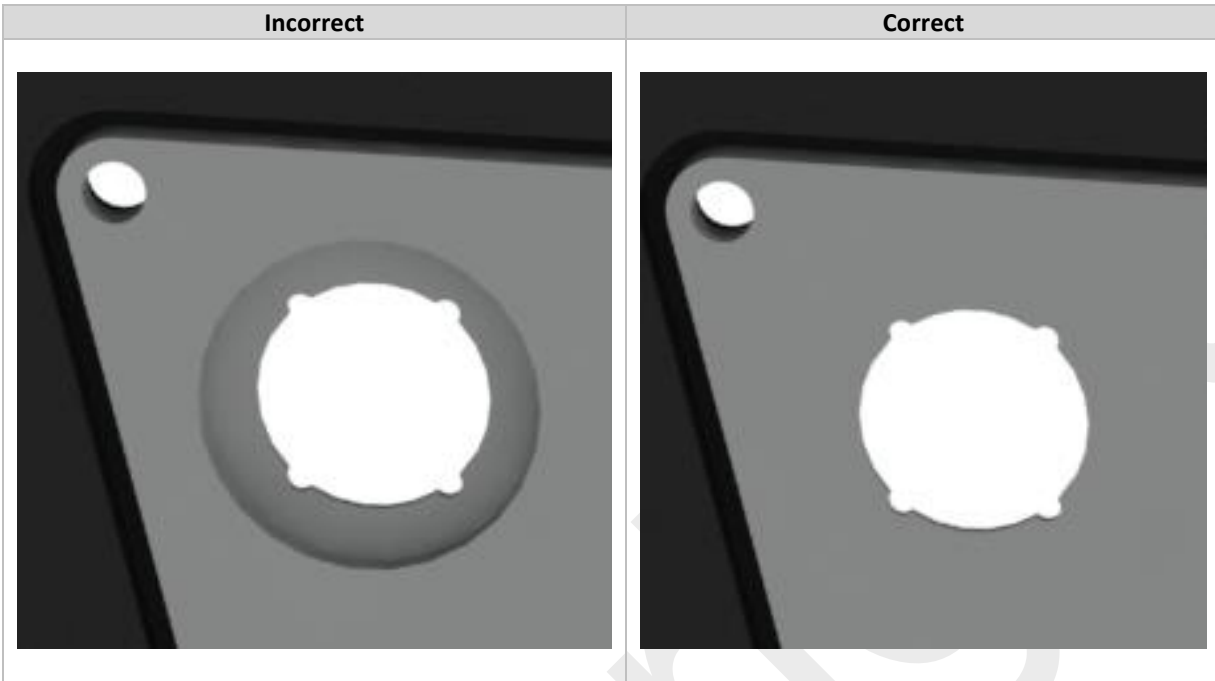
DO NOT SUBSTITUTE OR USE ANY OTHER HARDWARE.

- Included with this product should be HARDWARE KITS:
A2-HK-DRL09, T1-HK-LPR

A2-HK-DRL09	A2 Rear Mount Kit RAM 09-12 1500 & 10-19 HD	Qty
	1/2-13 x 1-1/4 Long, Grade 8 HB Zinc-Yellow	12
	1/2" Washer, Grade 8 Zinc-Yellow	24
	1/2"-13 Grade 8 Steel Serrated Flange Nut Zinc	12
	1/4-20 x 5/8 Long, Stainless Steel SBHCS	43
	1/4-20 Hex Grade 5 Serrated Flange Nut, Stainless Steel	43
	Sensor Plugs (Heyco Part #9696)	2
T1-HK-LPR	A2 Rear Mount Kit RAM 09-12 1500 & 10-19 HD	Qty
	Plastic License Plate Nuts	4
	#14 x 5/8" Zinc License Plate Screw	4
	Plastic Wire Splices	4
	Tag Lights	2
	Tag Light Screws	4
	Plastic Clips For Tag Lights	4

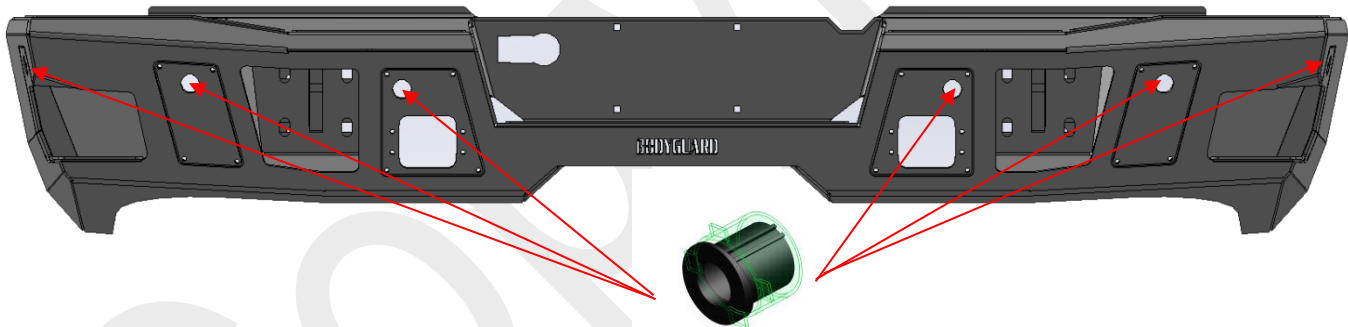
VI. BOLT-ON PLATE INSTALLATION

Sensor plates need to be positioned so that the machined face is to the **inside** of the bumper like shown below. If installed incorrectly the backup sensors may not function correctly.

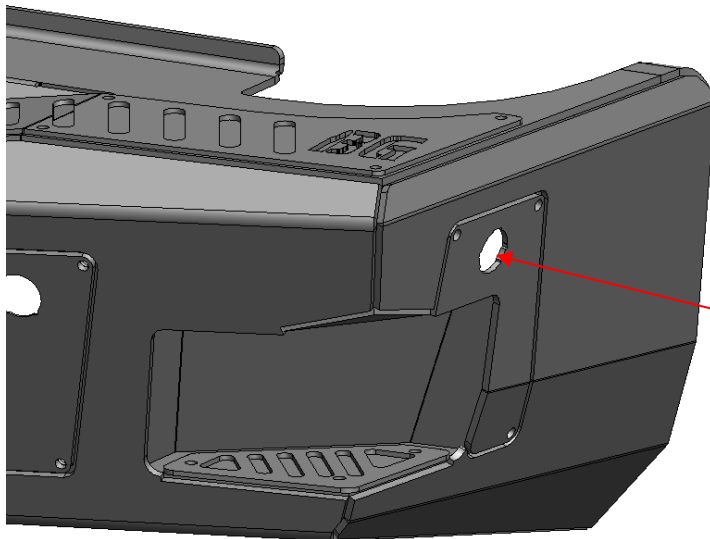


*Sensor cutout will vary from image shown above

VI. SENSOR BEZELS AND PLUGS



Outside D-Wing	Inside D-Wing	Center D	Center P	Inside P-Wing	Outside P-Wing
3RXF AB #10 6829 5601 AC #10	3RXF AB #10 6829 5601 AC #10	3RXF AB #10 6829 5601 AC #10	2RXF AB #9 6829 5600 AC #9	2RXF AB #9 6829 5600 AC #9	2RXF AB #9 6829 5600 AC #9

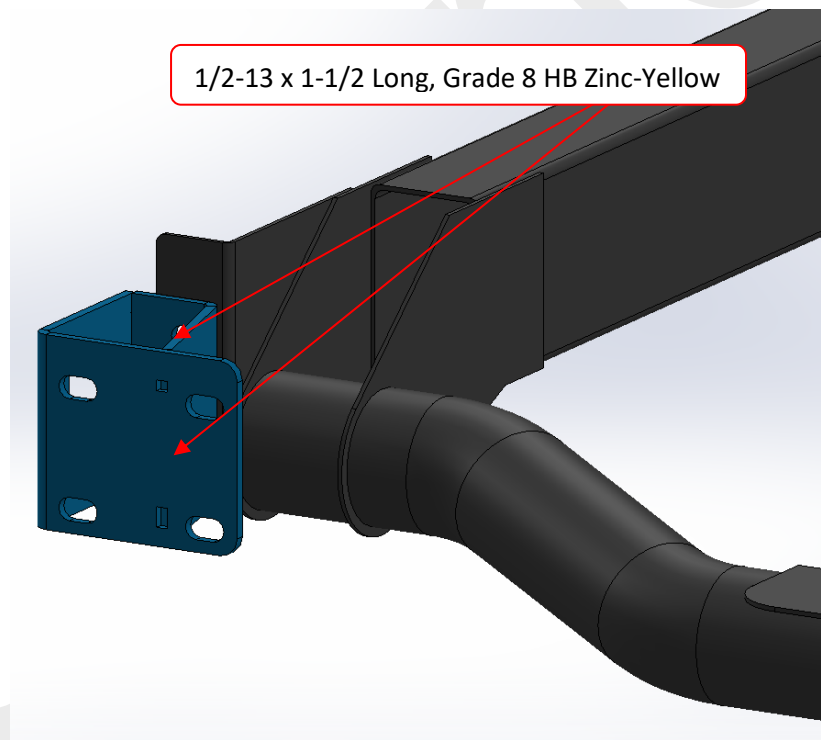


Use provided sensor plugs for any unused sensor holes. Some trucks come with 4 sensors instead of 6.



VIII. MOUNT INSTALLATION

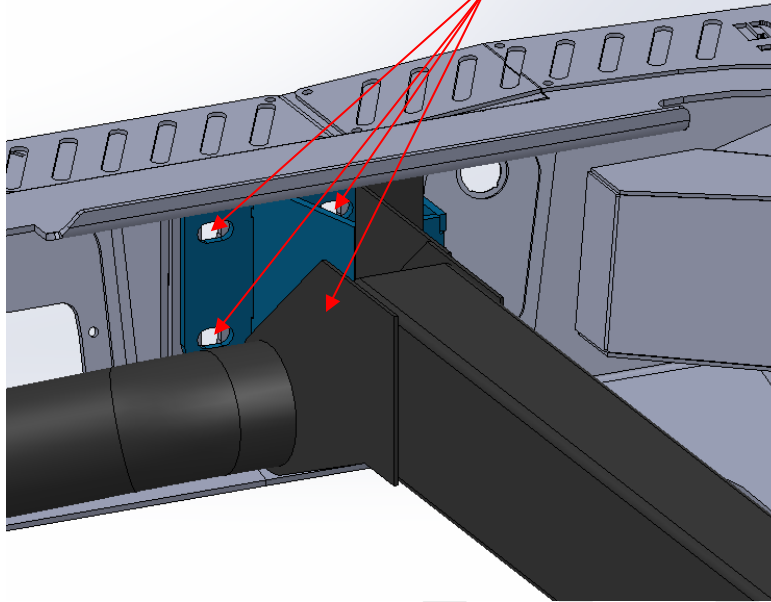
Use 2x 1/2-13 x 1-1/2 Long, Grade 8 HB Zinc-Yellow to secure the truck mounts to the frame. Make sure that the mounts are in the correct orientation showed below. **If the mounts are installed upside down the bumper will sit too high and possibly damage the tailgate if the tailgate is lowered. Slowly open tailgate once bumper is installed to insure correct fitment.**



IX. BUMPER INSTALLATION

Use 4x 1/2-13 x 1-1/2 Long, Grade 8 HB Zinc-Yellow to secure the bumper to the mounts.

1/2-13 x 1-1/2 Long, Grade 8 HB Zinc-Yellow



IX. FINISHING UP

- Re install all factory wiring and tag lights.
- Install shackles.
- Be sure to check for tailgate clearance BEFORE tightening all hardware.
- Confirm that all hardware is tightened and everything is secure.
- Secure wiring harnesses for lights and sensors.
- Test all lighting and wiring before using vehicle (fog lights, sensors, etc.).

X. MAINTENANCE

- Frequently check that all hardware is tightened and that all wiring and connections are secure.

FEEDBACK

We'd love to hear from you! Please send your pictures, testimonials, comments, or suggestions to us by email at info@bodyguardbumpers.com. We frequently use customer pictures for brochures and marketing materials, and we always welcome customer feedback to ensure quality improvements within our company. Thanks for your purchase; we appreciate your business very much!

Where STRENGTH Meets *Style!*™